

PWD10, PWD12, PWD20 and PWD22 Present Weather and Visibility Sensors



Features and Benefits

All models:

- Accurate measurement of prevailing visibility
- Compact and light-weight
- Easy to install

Additionally PWD12 and PWD22 models:

- Indicate the cause of prevailed visibility
- Detect precipitation type
- Measure the intensity and accumulation of precipitation
- Estimate snow accumulation

Vaisala PWD-series of present weather detectors and visibility sensors provide you off-the-shelf accuracy and reliability. They are a sensor family that grows with your needs.

Thousands of Vaisala present weather and visibility sensors are installed around the world, working reliably and accurately in diverse applications and climates. In the Vaisala PWD-series of present weather detectors and visibility sensors, you will find the mix you require of visibility measurement range (MOR), characterization of reduced visibility, precipitation type identification, precipitation accumulation/intensity measurement, and report formats (WMO, NWS code tables).

Proven Measurement Principles for Present Weather

The Vaisala Present Weather Detectors PWD12 and PWD22 identify precipitation type by accurately estimating the water content of

precipitation with a capacitive device (Vaisala RAINCAP® sensor element) and combining this information with optical forward scatter and temperature measurements. These three independent measurements are processed through sophisticated algorithms in order to produce an accurate evaluation of the weather type according to the WMO and NWS code tables.

Accurate Visibility Measurement

Calibrated with reference to a highly accurate transmissometer, Vaisala PWD-series sensors use the proven forward-scatter measurement principle to measure Meteorological Optical Range (MOR). The visibility sensor is well-protected against contamination: the optical components point downwards and

hoods protect the lenses against precipitation, spray and dust. This weather-proof design of the PWD sensors provides accurate measurement results and reduces the need for maintenance. The optional hood heaters are recommended for wintry conditions to prevent ice and snow accumulation.

Economical Visibility Measurement for Road Weather Applications

With a measurement range of 10...2,000 meters, the Vaisala Visibility Sensor PWD10 offers economical and reliable visibility measurement for road weather applications. The PWD10 is recommended for road weather systems which alert drivers to e.g. reduced visibility.

For Sophisticated Road Weather Applications

The Vaisala Present Weather Detector PWD12 provides accurate visibility and present weather measurement in the road environment, where low visibility is a serious safety hazard and significantly reduces traffic flow rates. With a visibility measurement range of 10...2,000 meters, the Vaisala Present Weather Detector PWD12 is ideal for road weather applications. The PWD12 also indicates the cause of reduced visibility to give you a full picture of weather conditions. Its ability to detect precipitation and identify precipitation type gives the road authority valuable information for the short-range planning of road maintenance operations.



PWD12 is ideal for road weather applications.

The Vaisala Present Weather Detector PWD22.



The PWD22 is recommended for Automatic Weather Observation Systems (AWOS).

For Meteorological and Aviation Applications

With a visibility measurement range of 10...20,000 meters, the Vaisala Present Weather Detector PWD22 is a two-in-one forward scatter visibility and present weather sensor. The PWD22 is recommended for automatic weather stations (especially low-power AWSs) that are used for general meteorological and aviation applications.

The PWD22's ability to detect freezing precipitation makes it possible to issue warnings when the weather presents safety hazards for road and air traffic.

The PWD22 is equipped with two Vaisala RAINCAP® sensor elements to improve detection sensitivity during light precipitation events – even light drizzle is detected. The PWD22 also reports present weather in WMO METAR code format so it is easily integrated with AWOS systems.



PWD-series sensors can be used in planning the road maintenance.

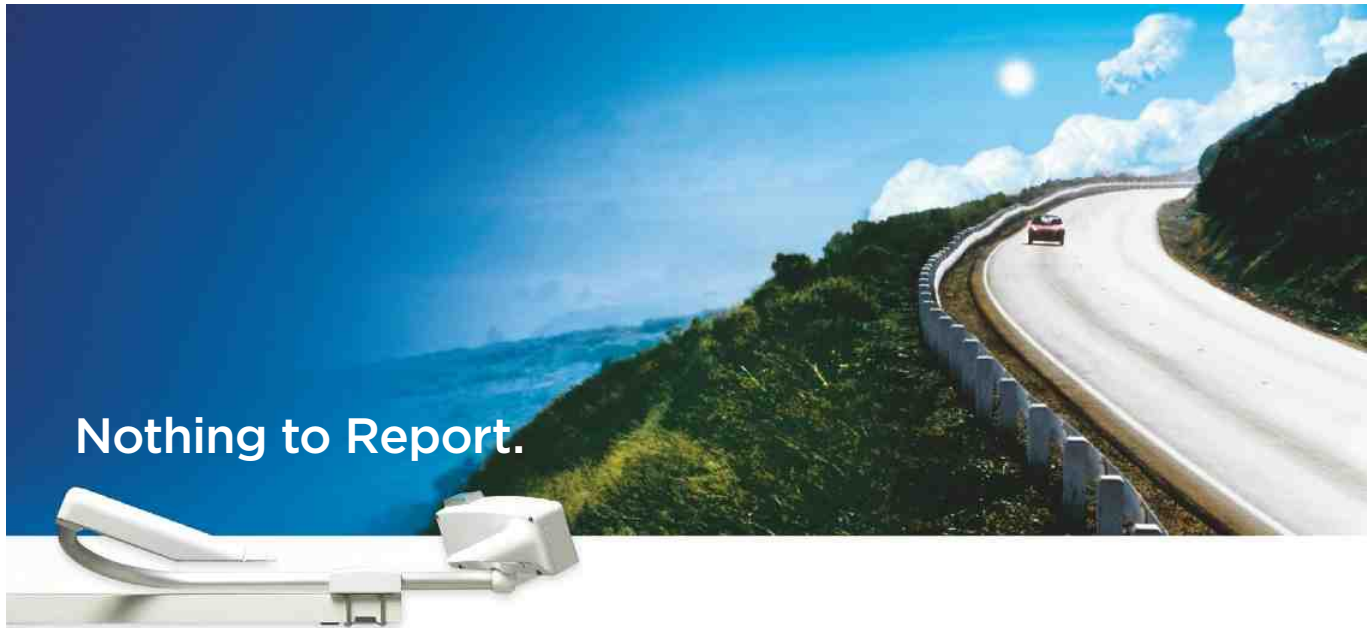
Wherever Visibility Measurement is Needed

With a measurement range of 10...20,000 meters, the Vaisala Visibility Sensor PWD20 offers long-range visibility measurement for diverse applications covering harbors, coastal areas, heliports, windmill parks – indeed, any locations or areas where visibility measurement is necessary.

Easy Installation

PWD sensors are less than one meter long. All are compact, light-weight, come with a cable and connector for easy installation, and can be mounted in many ways on any existing mast.





Nothing to Report.

Expandable Measurement Capabilities

The measurement capabilities of the Vaisala PWD-series sensors can be extended when your measurement needs grow. All PWD-series sensors can be economically upgraded to ensure that your PWD sensor gives full value for many years to come.

On a day like this, the Vaisala Present Weather Detector PWD22 can only report clear present weather and visibility to 20 km.

The PWD22 is a two-in-one forward scatter visibility and present weather sensor. It is ideal for automatic weather stations used for general meteorological and aviation applications.

In the Vaisala PWD-series of present weather and visibility sensors, you will find the mix you need of:

- Visibility measurement range (MOR)
- Characterization of reduced visibility
- Precipitation type identification
- Precipitation accumulation / intensity measurement
- Report formats WMO 4680 (SYNOP) and 4678 (METAR)

The Vaisala Present Weather Detector PWD10 is recommended for road weather systems, which alert drivers to e.g. reduced visibility, the PWD12 for sophisticated road weather applications that involve activities such as road maintenance planning.

The Vaisala Present Weather Detector PWD20 is recommended for measuring Visibility in other places such as harbors, coastal areas, heliports and windmill parks.

The measurement capabilities of the Vaisala PWD-series sensors can be extended when your measurement needs grows.

All PWD-series can be economically upgraded to ensure that your PWD sensor gives full value for many years to come.

Technical Data

Present Weather

PWD12	
Identifies	4 different types of precipitation (rain, drizzle, mixed rain/snow, snow) fog, mist, haze (smoke, sand) or clear
Reports	WMO 4680 (SYNOP) and NWS code tables 39 different codes supported from WMO 4680 code table
PWD22	
Identifies	7 different types of precipitation (rain, freezing rain, drizzle, freezing drizzle, mixed rain/snow, snow, ice pellets) Fog, mist, haze (smoke, sand) or clear
Reports	WMO 4680 (SYNOP), 4678 (METAR) and NWS code tables 49 different codes supported from WMO 4680 code table

Precipitation Measurement

Measures	precipitation intensity, accumulation and amount of new snow
Precipitation detection sensitivity	0.05 mm/h or less, within 10 minutes

Visibility Measurement

Operating principle	forward scatter measurement
PWD10 and PWD12	
Measurement range (MOR)	10...2000 m (32...6500 ft)
PWD20 and PWD22	
Measurement range (MOR)	10...20 000 m (32...65 600 ft)
Accuracy	±10%, range 10...10 000 m m±15%, range 10...20 km

Electrical

Power supply	12 V DC...50 V DC (electronics) 24 V AC or 24 V DC for heater option
Power consumption	
PWD10 and PWD20	3 W (electronics with dew heater @12VDC)
PWD12 and PWD22	6 W
Options	2 W (luminance sensor with dew heater) 65 W (heater option)
Outputs	RS-232, RS-485 Three programmable relay controls, visibility alarm threshold and delays configurable, fault alarm relay 0 ... 1mA, 4 ... 20 mA analog current

Mechanical

Dimensions	40.4 (w) x 69.5 (l) x 19.9 (h) cm (15.91" (w) x 27.36" (l) x 7.83" (h))
Weight	3 kg (6.61 lb)

Environmental

Operating temperature	-40 ... +60 °C
Operating humidity	0 ... 100 %RH
Protection class	IP66

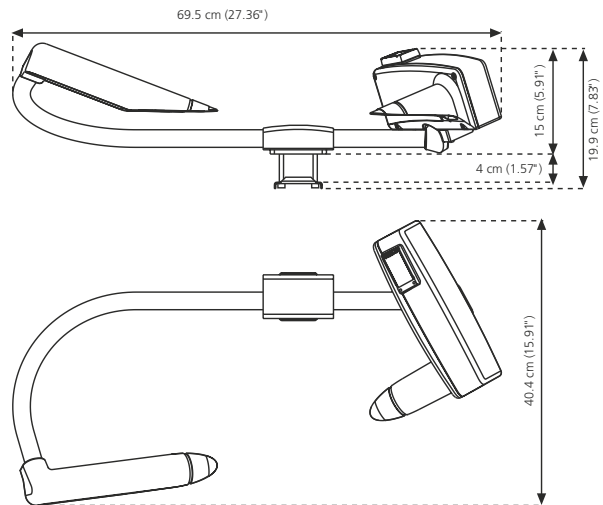
Electromagnetic Compatibility

CE-compliant	
Compliance has been verified according to the following EMC directives	
Verification subject	standard
Radiated emissions	CISPR 16-1,16-2
Radiated susceptibility	IEC 61000-4-3,10 V/m
Conducted emissions	CISPR 16-1,16-2
Conducted susceptibility	IEC 61000-4-6
EFT immunity	IEC 61000-4-4
ESD immunity	IEC 61000-4-2
Surge	IEC 61000-4-5

Accessories/Options

- Luminance sensor PWL111 for AWOS applications
- Hood heaters for winter conditions
- Support arm for mast installations
- Pole clamp kit for mast top installations
- Calibration set PWA12
- Maintenance cable 16385ZZ

Dimensions



RAINCAP® is a registered trademark of Vaisala.

VAISALA

www.vaisala.com

Please contact us at
www.vaisala.com/requestinfo



Scan the code for more information

Ref.B210385EN-D ©Vaisala 2013
 This material is subject to copyright protection, with all copyrights retained by Vaisala and its individual partners. All rights reserved. Any logos and/or product names are trademarks of Vaisala or its individual partners. The reproduction, transfer, distribution or storage of information contained in this brochure in any form without the prior written consent of Vaisala is strictly prohibited. All specifications — technical included — are subject to change without notice.

